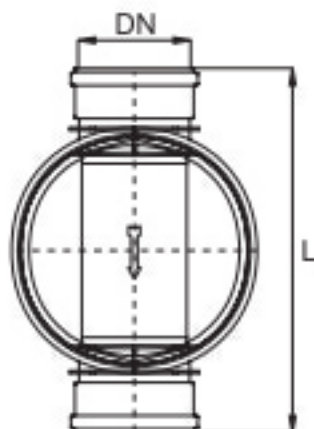
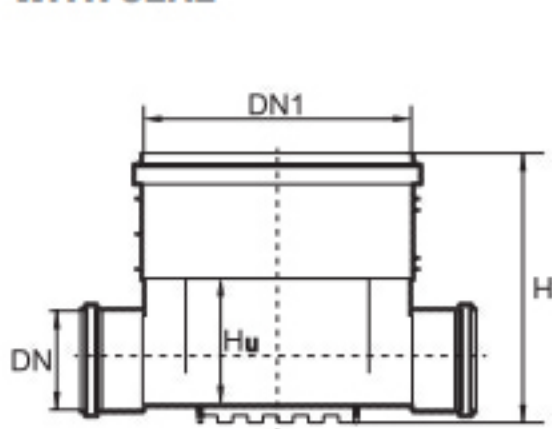


# CHAMBERS BASE TYPE 400 STRAIGHT

WITH SEAL



DN [mm]	DN1 [mm]	H [mm]	Hu [mm]	L [mm]	Product no.
110	400	351	355	456	34100
160	400	432	205	590	34130
200	400	401	410	509	34215
250	400	530	293	710	34235
315	400	800	540	1080	34325